



#### Color Variants

<b>BM454100</b>
Combi-microwave oven 400 series
Full glass door in Gaggenau Anthracite
Width 60 cm
<b>BM454110</b>
Stainless steel-backed full glass door
Width 60 cm

#### Included accessories

1 x combination grid.
1 x glass tub.

#### Product Variants

<b>BM450100</b>
Combi-microwave oven 400 series
Full glass door in Gaggenau Anthracite
Width 60 cm
Right-hinged
Controls at the top
<b>BM451100</b>
Combi-microwave oven 400 series
Full glass door in Gaggenau Anthracite
Width 60 cm
Left-hinged
Controls at the top
<b>BM455100</b>
Combi-microwave oven 400 series
Full glass door in Gaggenau Anthracite
Width 60 cm
Left-hinged
Controls at the bottom

<b>BM454100</b>
Combi-microwave oven 400 series
Full glass door in Gaggenau Anthracite
Width 60 cm
Right-hinged
Controls at the bottom

Handleless door / automatic door opening / door opening via voice assistant possible  
Single operation and combination of microwave, grill and oven  
Sequential operation of up to 5 modes incl. programming of combined operation and rest time  
TFT touch display  
Panel-free appliance with surface control module  
Electronic temperature control  
Interior volume 36 litres

#### Programmes

Microwave operation with 5 output levels: 1000, 600, 360, 180, 90 W.  
Oven operation with 4 heating methods: Hot air 40 °C and from 100 °C to 250 °C,  
Full surface grill + hot air from 100 °C to 250 °C,  
Full surface grill + circulated air from 100 °C to 250 °C  
Full surface grill with 3 levels of intensity, maximum output 2000 W.  
Heating methods with microwave output levels 600, 360, 180 and 90 W freely combinable.  
15 automatic programmes with weight indication, customisable:  
4 defrosting programmes  
4 cooking programmes  
7 combination programmes  
Option to save individual recipes.

#### Handling

Automatic door opening.  
Rotary knob and TFT touch display operation.  
Clear text display.  
Information key with use indications.  
Side-opening door opens up to 180° angle.

#### Features

Innowave.  
Rapid heating.  
Timer functions: cooking time, cooking time end, timer, stopwatch, long-term timer (certified by Star-K).  
4 rack levels.  
Actual temperature display.  
60 W halogen light on the side.

#### Safety

Thermally insulated door with triple glazing.  
Triple door lock.  
Child lock.  
Safety shut-off.  
Cooled housing with temperature protection.

#### Cleaning

Hygienic stainless steel interior with glass ceramic base.  
Interior back wall with catalytic coating.

#### Planning notes

Door hinge not reversible.  
Plan the niche without back wall.  
The door panel surface of the appliance extends 47 mm from the furniture cavity.  
If the handle (optional accessory) is retrofitted, the outer edge of the door handle extends 94 mm from the furniture cavity.

#### Characteristics

Type of micro-wave oven
MW-Combi
Type of control
Electronic
Color / Material Front
Anthracite
Dimensions
Cavity dimensions
236.0 x 445.0 x 348.0
Approval certificates
CE, E17D UKCA marking, Ukraine, VDE
Length of electrical supply cord
150
Net weight
37.5
Gross weight
43.0
EAN code
4242006249533
Maximum micro-wave power
1000
Connection rating
3100
Fuse protection
16
Voltage
220-240
Frequency
60; 50
Plug type
fixed connection, no plug
Cavity dimensions
236.0 x 445.0 x 348.0

#### Consumption and connection features

created on 2022-02-22

Page 1

Consider the overhang, incl. the door handle where applicable, when planning to open drawers next to the appliance.

When planning a corner solution, pay attention to the 110° door opening angle.

The mains socket needs to be planned outside of the built-in niche.

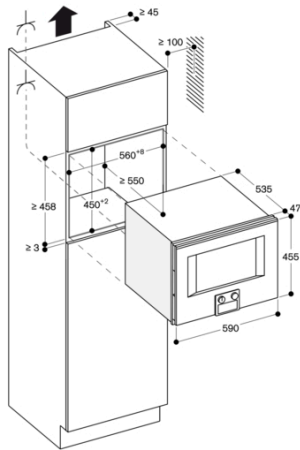
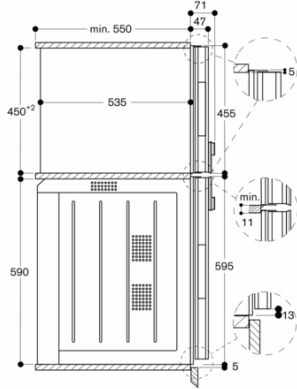
#### Connection

Total connected load 3.1 KW.

Connection cable 1.5 m without plug.

BM454100  
 Combi-microwave oven 400 series  
 Full glass door in Gaggenau Anthracite  
 Width 60 cm  
 Right-hinged  
 Controls at the bottom  
 created on 2022-02-22  
 Page 2

Side view of BS 454/455, BM 454/455 above BO



⚡ Socket  
 measurements in mm

Side view of BM 454/455 above BO

